

QUESTIONNAIRE

Selection of SPS

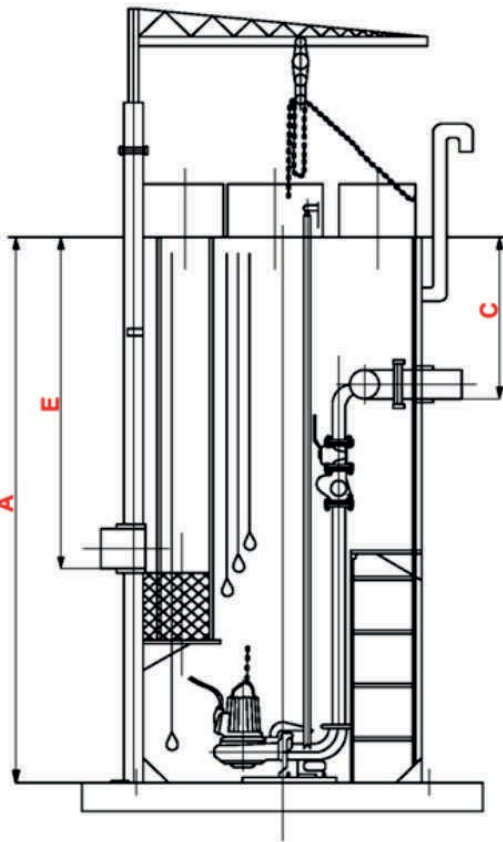
Name object: _____
 Customer: _____
 The contact person: _____
 Phone / fax / E-mail: _____

Object status
 Project _____ Tender _____
 Other (specify) _____

Working scheme	Workers pumps (pcs.): _____	Reserve pumps (pcs.): _____	Standby pumps to the warehouse (pcs.): _____
The pumped-over medium:			
Pumping station flow (m ³ / h):	Head (m.w.art.) _____		

If you do not know the head value, please indicate following:

- the length of the pressure pipeline (m): _____
- internal diameter of the discharge pipeline (mm): _____
- height difference between the beginning and the end of the pressure section (m): _____



Parameters for body selection

A	Depth of the underground reservoir:	
	Outlet pipe diameter (mm)	
B	Material:	
	amount and location in plan:	pieces hours
C	Laying depth (mm):	
D	Pumping station diameter (mm):	
	Supply pipe diameter (mm):	
F	Material:	
	Number and location in the plan: pieces	pieces hours
E	Depth of laying (mm):	
G	Distance between pressure headcollectors (mm)	

Parameters for the selection of the control panel

Control panel version:	outdoor (IP65)	
	internal (IP54)	
Number of power inputs:	one input	
	double entry with ABP	
Pump starting method	straight	
	star-triangle	
	smooth	

Optional equipment

Swarf basket on the inlet pipeline:	
Lifting mechanism with manual hoist:	
Блок бокс (павильон) над КНС:	

Дополнительные требования к КНС

Date: _____
 « _____ » _____ 20____ у.